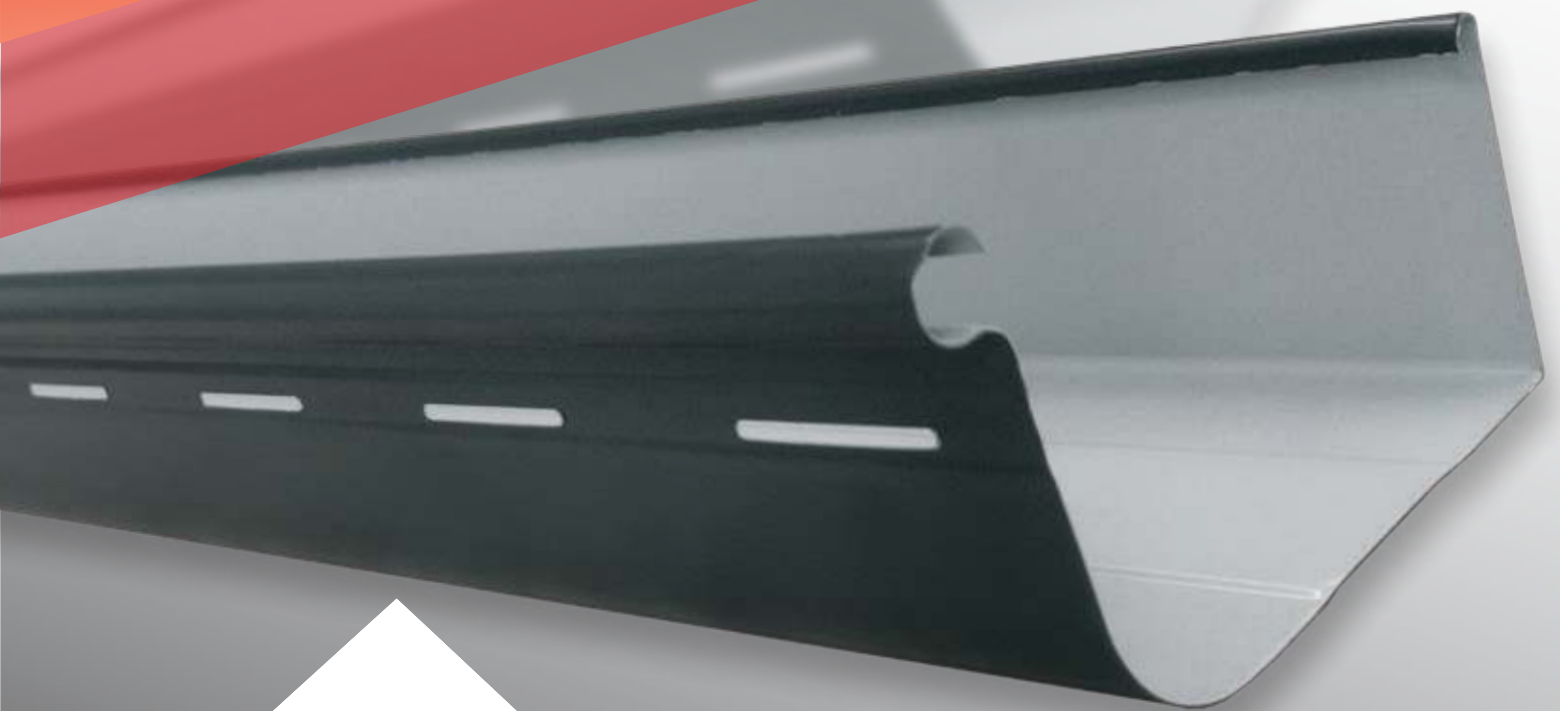


CS **COLORSPAN**
INDUSTRIES

115 QUAD GUTTER



VBA VICTORIAN
BUILDING
AUTHORITY

BUILDING CONFIDENCE

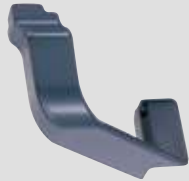
APPROVED PRODUCT DESIGN

115 QUAD GUTTER INFORMATION

A CLASSIC GUTTERING DESIGN THAT IS SUITED TO BOTH NEW HOMES OR FOR REPLACING EXISTING GUTTERS.

COMPATIBLE WITH BOTH STEEL AND TILED ROOFS MAKING THIS GUTTER THE IDEAL CHOICE FOR YOUR HOME.

ACCESSORIES



External 90° Angle



Internal 90° Angle



External Bracket



Stop End



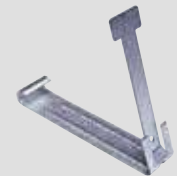
Metal Fascia
Suspension Clip



Concealed Bracket

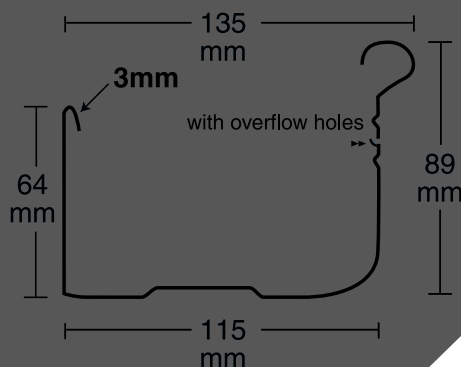


Concealed
Suspension Bracket



Overstrap Bracket

DIMENSIONS



AVAILABLE IN BOTH PLAIN AND SLOTTED
STOCK LENGTHS: **4.000 / 6.000 / 8.000**

FLOW RATE:

Volume in 1m length 1.5 litres / second. 6.2 litres measured to overflow holes

- CAN BE PRODUCED TO INDIVIDUAL LENGTH REQUIREMENTS
- FULL RANGE OF ACCESSORIES TO MATCH
- LARGE RANGE OF COLOURS CHECK THE COLOUR CHOICE GUIDE



GET IN CONTACT

phone: (03) 9331 7920 email: sales@colorspan.com.au website: www.colorspan.com.au
address: 4 Aviation Place Tullamarine 3043