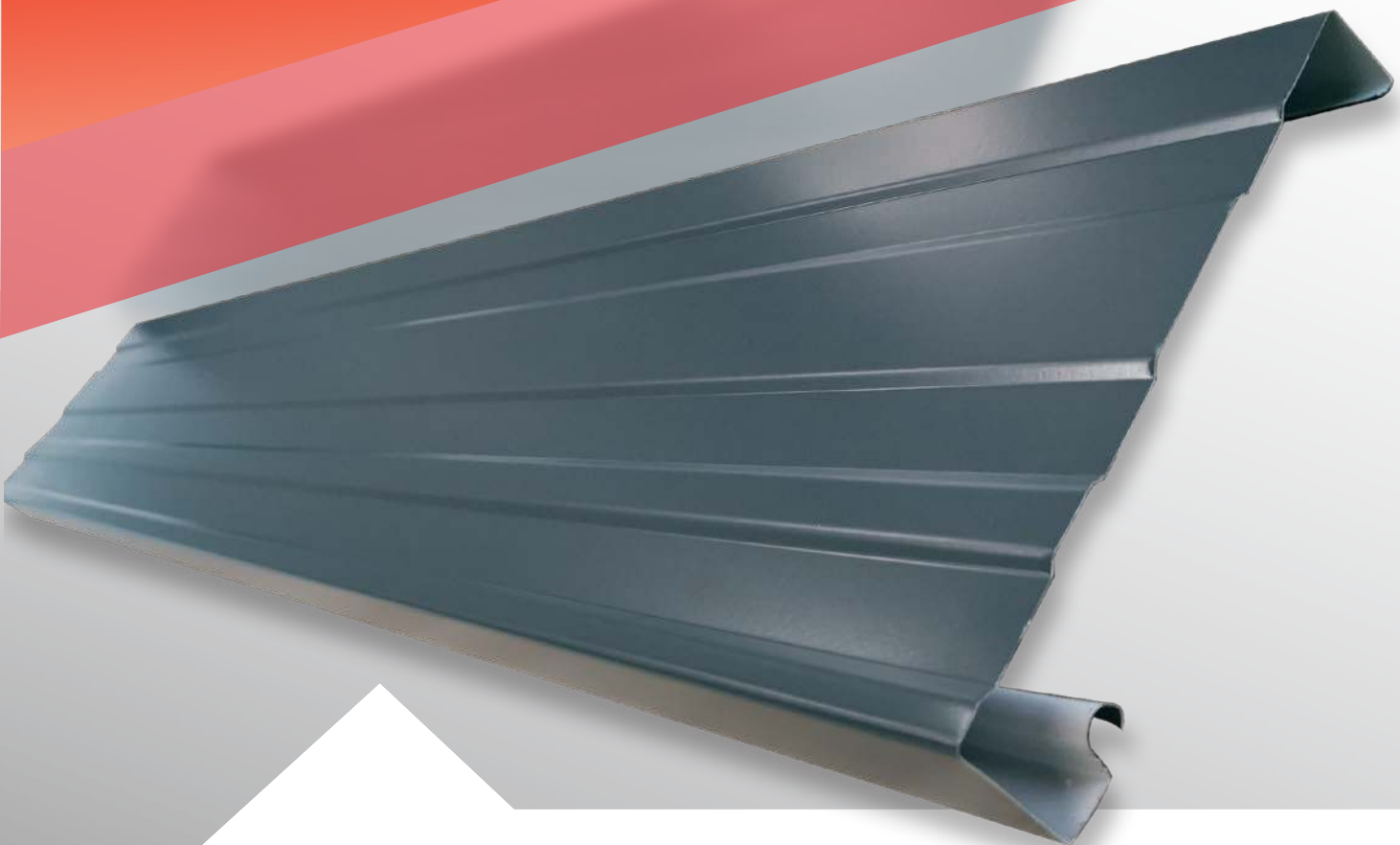


**CS** **COLORSPAN**  
INDUSTRIES

# METAL FASCIA



**VBA** VICTORIAN  
BUILDING  
AUTHORITY

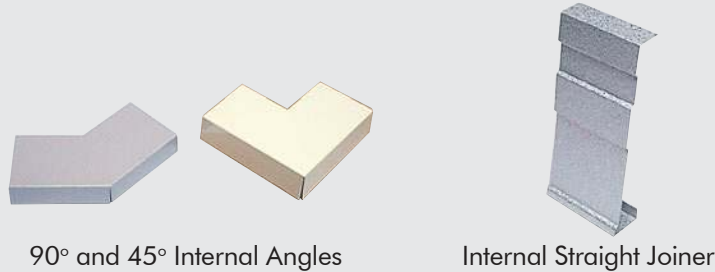
**BUILDING CONFIDENCE**

**APPROVED PRODUCT DESIGN**

# METAL FASCIA INFORMATION

METAL FASCIA IS USED AS A BASE TO ATTACH GUTTERING TO FOR NEW HOMES.  
IT CAN ALSO BE USED AS A COVER FOR TIMBER FASCIA.

## ACCESSORIES



90° and 45° Internal Angles

Internal Straight Joiner

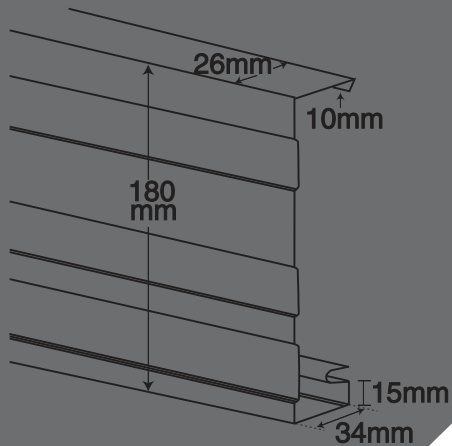


Barge Moulds

Standard Rafter Bracket

External 90° Angle

## DIMENSIONS



Barge Apex Cover

Metal Fascia Suspension Clip

STOCK LENGTHS: **4.000 / 6.000 / 8.000**

- CAN BE PRODUCED TO INDIVIDUAL LENGTH REQUIREMENTS
- FULL RANGE OF ACCESSORIES TO MATCH
- LARGE RANGE OF COLOURS CHECK THE COLOUR CHOICE GUIDE



## GET IN CONTACT

phone: (03) 9331 7920 email: [sales@colorspan.com.au](mailto:sales@colorspan.com.au) website: [www.colorspan.com.au](http://www.colorspan.com.au)  
address: 4 Aviation Place Tullamarine 3043